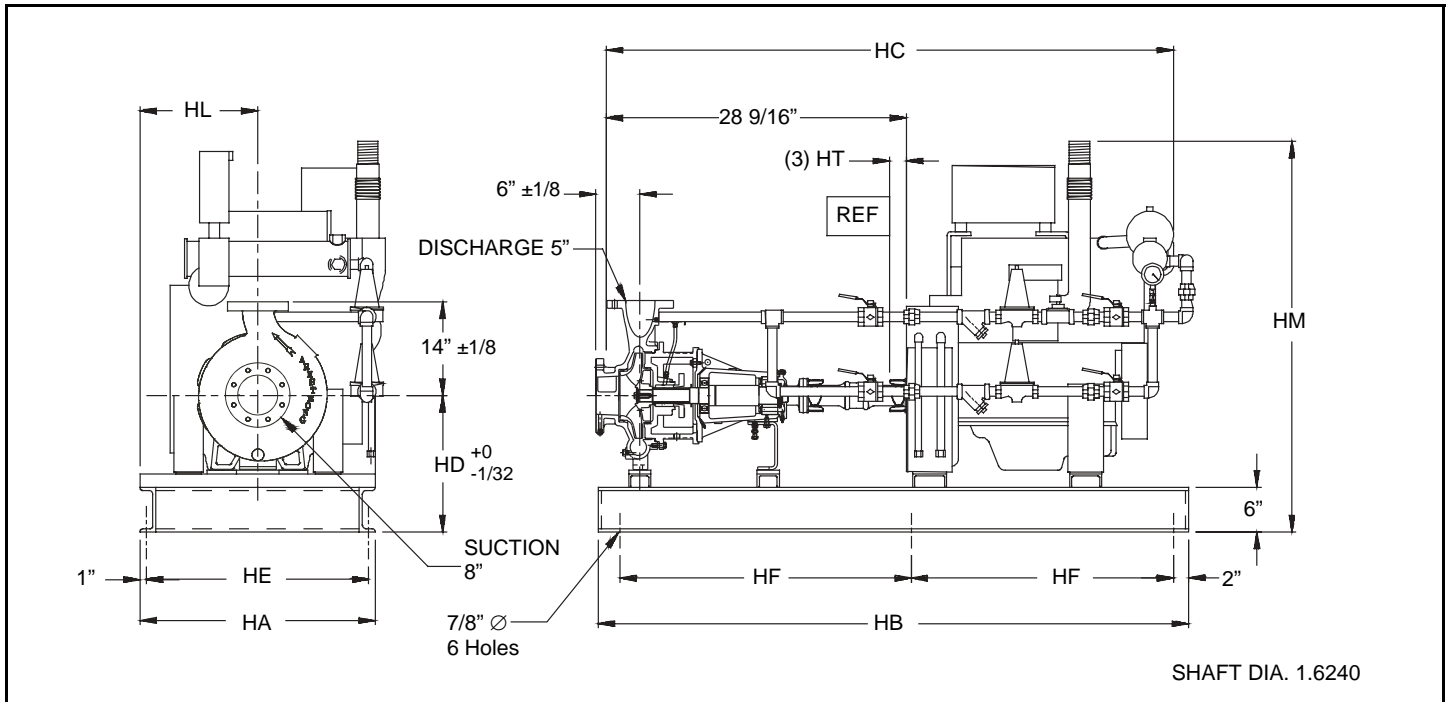


JOB: _____	REPRESENTATIVE: _____
_____	_____
_____	_____
ENGINEER: _____	ORDER NO: _____ DATE: _____
CONTRACTOR: _____	SUBMITTED BY: _____ DATE: _____
	APPROVED BY: _____ DATE: _____

TAG/REF:								
PUMP DATA	FLOW	HEAD	ENGINE DATA	HP	RPM	BAT. VOLTAGE	TANK SIZE	OTHER



ENGINE	DIMENSIONS									WT (LBS)
	HA	HE	HL	HB	HF	HD	HM(4)	HC(4)	HT	
CLARKE VM MOTORI (VMFP) / JOHN DEERE										
JU4H-SERIES	32	30	16	82	39	22.5	55	69	-	935
JU6H-SERIES	32	30	16	95	44	22.5	55	78	-	1693
VMFP-SERIES	32	30	16	95	39	22.5	55	86	-	1080
IK6H-SERIES	32	30	16	95	44	22.5	55	78	-	599
IK6R-SERIES	32	30	16	95	44	22.5	55	69	-	599

FLANGE RATING

- ANSI 125# STD (1)
- ANSI 125# SUCTION
- ANSI 250# DISCHARGE
- PN 16

FIRE PUMP LISTING



NOTE:
 (1) STD. DISCHARGE FLANGE THICKNESS ANSI 250#
 (2) COUPLING GUARD NOT SHOWN

DO NOT USE FOR CONSTRUCTION UNLESS CERTIFIED

Armstrong Pumps Inc.
 93 East Avenue
 North Tonawanda, New York
 U.S.A. 14120-6594
 Tel: (716) 693-8813
 Fax: (716) 693-8970
 Visit us at www.armstrongpumps.com

S.A. Armstrong Limited
 23 Bertrand Avenue
 Toronto, Ontario
 Canada, M1L 2P3
 Tel: (416) 755-2291
 Fax: (416) 759-9101



© S.A. Armstrong Limited 2002

Armstrong Pumps Limited
 Peartree Road, Stanway
 Colchester, Essex
 United Kingdom, C03 0LP
 Tel: 01206-579491
 Fax: 01206-760532

Armstrong Darling
 2200 Place Transcanadienne
 Montreal, Quebec
 Canada, H9P 2X5
 Tel: (514) 421-2424
 Fax: (514) 421-2436

