

VERTICAL TURBINE DIESEL FIRE PUMP | 2000 GPM WITH 10×16½ CAST IRON HEAD | SUBMITTAL

File No: F51.624
Date: JULY 15, 2013
Supersedes: F51.624
Date: AUGUST 15, 2005

Job: _____ Representative: _____
 _____ Order no.: _____ Date: _____
 Engineer: _____ Submitted by: _____ Date: _____
 Contractor: _____ Approved by: _____ Date: _____

Model: 10×15H VTF **Discharge head:** 10×16½ A

RPM: 1770 Water lube

2000 GPM: _____ T.D.H

- FM UL NFPA-20 only
- Approval Construction
- Engine model: _____
- Ragd model: _____
- Shaft model: _____
- Controller model: _____

NOTES

- Dimension based on randolph gear drive. May vary when driver adaptor is required.
- Dimensions are in inches unless otherwise indicated.
- Engine to base mounting and cooling loop to be field installed and plumbed.
- Engine oil & anti freeze/coolant may not be included.
- Gear shipped filled with oil. Check level before installation.
- Refer dwg. no. _____ for Engine dimensions.
- Not to be used for construction unless certified.

PRESS RATE	DISCHARGE FLANGE INCH (mm)					
	DA	DC	DD	DF	DG	DK
125 #	16.00 (381)	14.25 (362)	14.00 (356)	10.00 (254)	1.00 (25)	1.19 (30)
250#	17.50 (445)	15.25 (387)	14.69 (373)	10.00 (254)	1.13 (29)	1.88 (48)

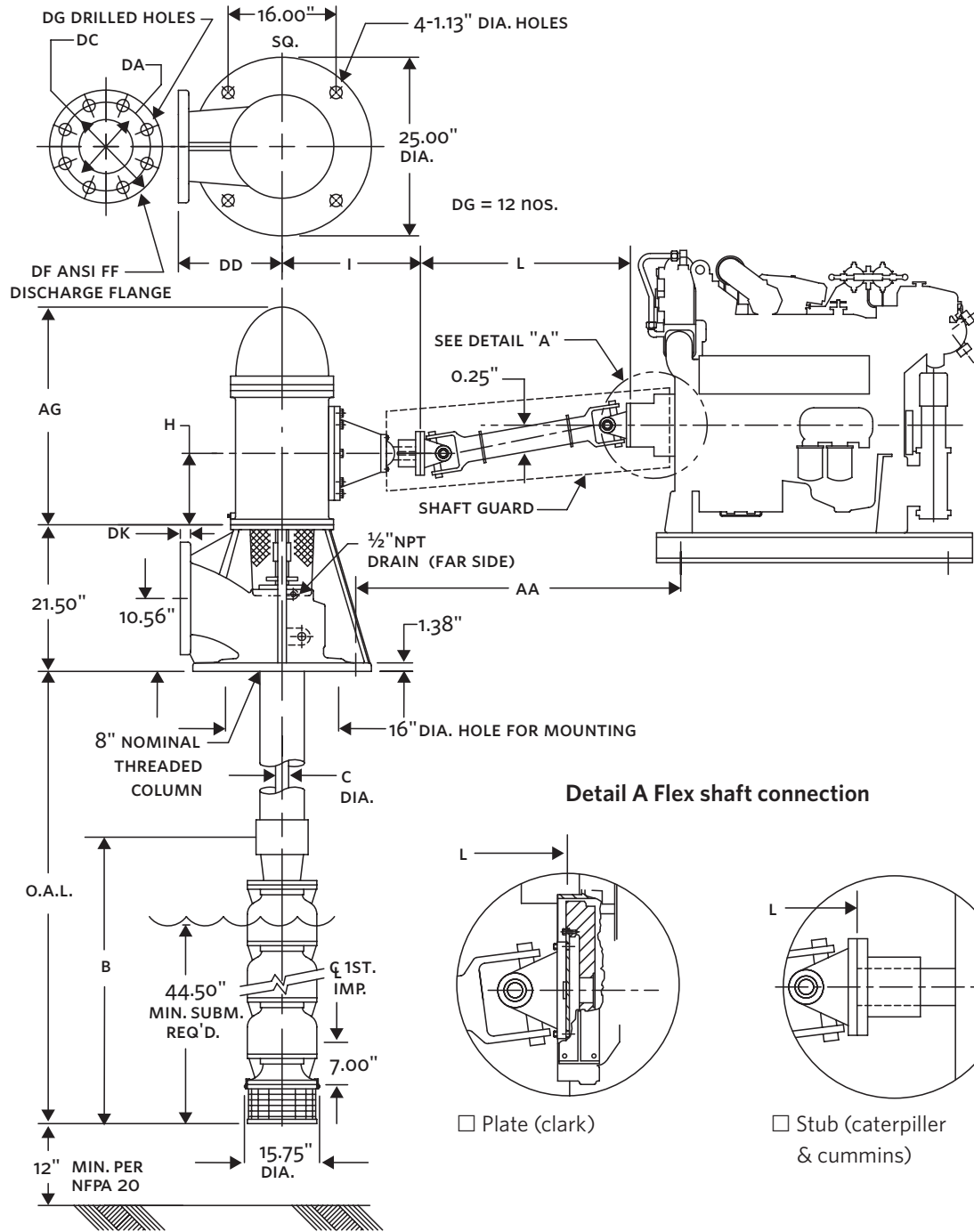


NO OF STG'S	DISCHARGE SIZE	RATING	RAGD	AG*	B	C	H*	I*	L	AA
	INCH (mm)		HP	INCH (mm)						
2	10.00 (254)	125	150-200	34.00 (864)	56.75 (1442)	1.50 (38)	13.75 (349)	20.94 (532)	—	—
3	10.00 (254)	125	200	34.00 (864)	70.25 (1784)	1.50 (38)	13.75 (349)	20.94 (532)	—	—
3	10.00 (254)	125	250	34.00 (864)	70.25 (1784)	1.50 (38)	13.75 (349)	21.75 (553)	—	—
3	10.00 (254)	125	250-300	34.00 (864)	70.25 (1784)	1.69 (43)	13.75 (349)	21.75 (553)	—	—
3	10.00 (254)	125	300	34.00 (864)	70.25 (1784)	1.94 (49)	13.75 (349)	21.75 (553)	—	—
4	10.00 (254)	250	250-300	34.00 (864)	83.75 (2127)	1.94 (49)	13.75 (349)	21.75 (553)	—	—
4	10.00 (254)	250	350-400	36.00 (914)	83.75 (2127)	1.94 (49)	13.75 (349)	21.75 (553)	—	—
5	10.00 (254)	250	400	36.00 (914)	97.25 (2470)	1.94 (49)	13.75 (349)	21.75 (553)	—	—

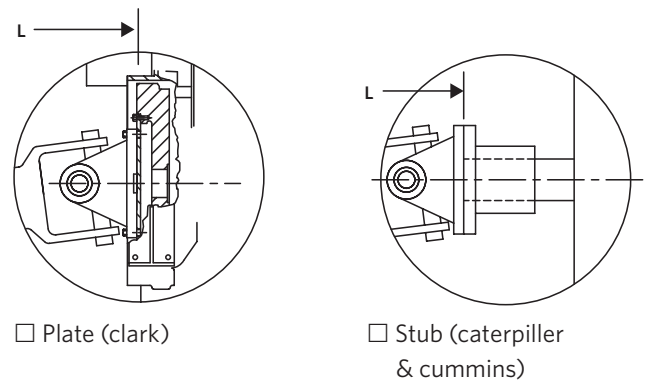
* Dimension based on randolph gear drive. May vary when driver adaptor is required.

SUBMITTAL
2000 GPM

Vertical turbine diesel Fire pump
2000 GPM with 10x16½ Cast iron head



Detail A Flex shaft connection



TORONTO
+1 416 755 2291

BUFFALO
+1 716 693 8813

BIRMINGHAM
+44 (0) 8444 145 145

MANCHESTER
+44 (0) 8444 145 145

BANGALORE
+91 (0) 80 4906 3555

SHANGHAI
+86 21 3756 6696

ARMSTRONG FLUID TECHNOLOGY
ESTABLISHED 1934

ARMSTRONGFLUIDTECHNOLOGY.COM