

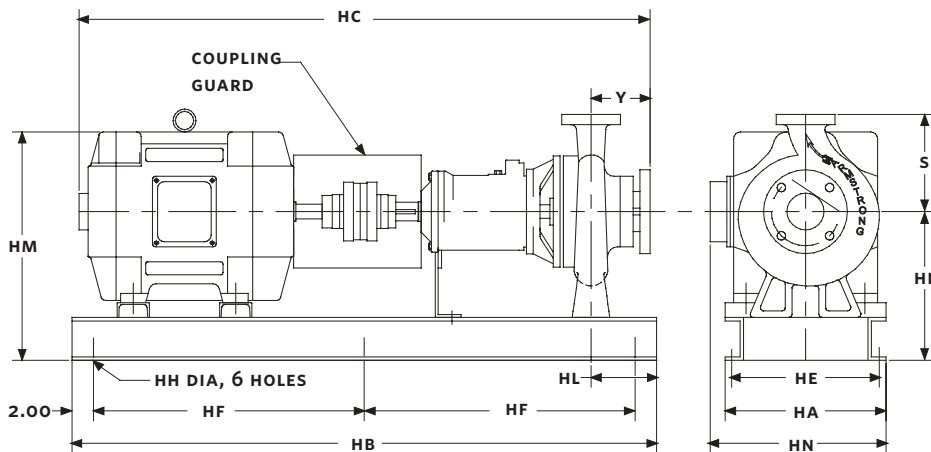
END SUCTION PUMP | SERIES 40PF | ELECTRIC DRIVEN | 6x5x13FM | SUBMITTAL

File No: F40.613
Date: MARCH 19, 2013
Supersedes: F40.613
Date: NOVEMBER 29, 2010

Job: _____ Representative: _____
Order no.: _____ Date: _____
Engineer: _____ Submitted by: _____ Date: _____
Contractor: _____ Approved by: _____ Date: _____

TAG/REF:									ENCLOSURE
PUMP DATA	FLOW	HEAD	MOTOR DATA	HP	RPM	VOLT	PH	HZ	

SPECIAL STARTING:



FLANGE RATING

- ANSI 125# STD
- ANSI 125# SUCTION^①
250# DISCHARGE
- ANSI 250#
- PN16

FIRE PUMP LISTING

- UL
- ULC
- FM

MOTOR FRAME	DIMENSIONS (INCH)				WEIGHT IN LBS
	HC	HM	HN	HD	
256T	57.28	21.18	22.58	15.00	1064
284TS	57.93	22.07	23.37	15.00	1191
286TS	59.43	22.07	23.37	15.00	1191
324TS	60.99	22.95	24.00	15.00	1539
326TS	62.49	22.95	24.00	15.00	1539
364TS	64.45	25.75	26.91	16.25	2093
365TS	64.45	25.75	26.91	16.25	2093
404TS	67.95	25.75	26.91	16.25	2516
405TS	67.95	25.75	26.91	16.25	2516
444TS	72.90	27.96	37.71	16.25	2955
445TS	72.90	27.96	37.71	16.25	2955

PUMP DIMENSIONS

inches

HA	HB	HE	HF	HH	X	Y	HL	S
25.00	70.00	23.75	33.00	0.75	12.50	6.30	6.80	13.98

NOTE:

① Suction flange thickness ANSI 250#

DO NOT USE FOR CONSTRUCTION UNLESS CERTIFIED

TORONTO

23 BERTRAND AVENUE
TORONTO, ONTARIO
CANADA
M1L 2P3
+1 416 755 2291

BUFFALO

93 EAST AVENUE
NORTH TONAWANDA, NEW YORK
U.S.A.
14120-6594
+1 716 693 8813

BIRMINGHAM

HEYWOOD WHARF, MUCKLOW HILL
HALESOWEN, WEST MIDLANDS
UNITED KINGDOM
B62 8DJ
+44 (0) 8444 145 145

MANCHESTER

WENLOCK WAY
MANCHESTER
UNITED KINGDOM
M12 5JL
+44 (0) 8444 145 145

BANGALORE

#59, FIRST FLOOR, 3RD MAIN
MARGOSA ROAD, MALLESWARAM
BANGALORE, INDIA
560 003
+91 (0) 80 4906 3555

SHANGHAI

NO. 1619 HU HANG ROAD, XI DU TOWNSHIP
FENG XIAN DISTRICT, SHANGHAI
P.R.C.
201401
+86 21 3756 6696

ARMSTRONG INTEGRATED
ESTABLISHED 1934

ARMSTRONGINTEGRATED.COM

MAKING
ENERGY
MAKE
SENSE™