



2500 gpm with 10 x 16 1/2 Cast Iron Head

SUBMITTAL

VERTICAL TURBINE ELECTRIC
 FIRE PUMP



Approved

2500 G.P.M. FM UL APPROVAL NFPA-20 ONLY CONSTRUCTION

T.D.H. _____

MODEL 10x16M VTF

10 x 16 1/2 "A" DISCHARGE HEAD
 1770 R.P.M. WATER LUBE

MOTOR _____ HP _____
 VOLT _____ PH _____ HZ _____
 CONTROLLER MODEL _____

JOB NAME: _____
 ITEM NO. _____

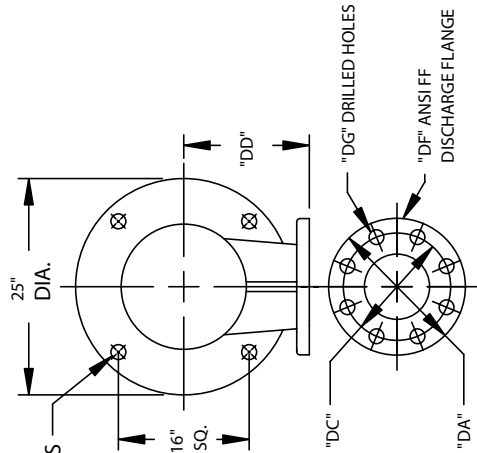
CUSTOMER _____

ORDER NO. _____
 MFG. REP. _____

DWG. NO. _____
 SERIAL NO. _____

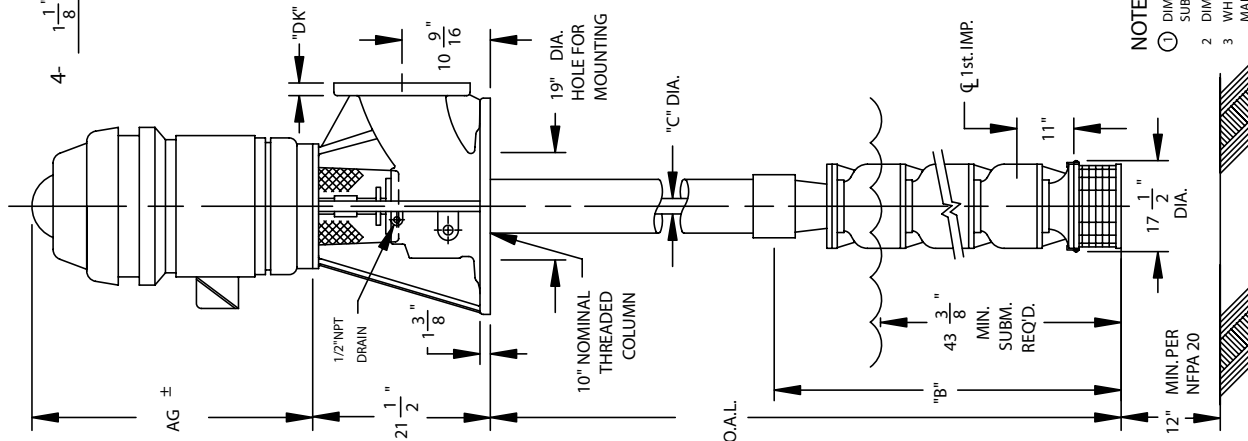
NOT TO BE USED
 FOR CONSTRUCTION
 UNLESS CERTIFIED

By: _____ Date: _____



PRESS RATE	DISCHARGE FLANGE					
	DA	DC	DD	DF	DG	DK
125 #	16	14 1/4	14	10	(12) 1	13/16
250 #	17 1/2	15 1/4	14 11/16	10	(16) 1 1/8	17/8

NO. OF STGS.	DISCH. SIZE & RATING	AG			B		C	
		1	2	3	4	5	6	7
2	10/125#	53 7/16	57 1/8	70 1/8	83 1/8	96 1/8	115/16	115/16
3	"	53 7/16	70 1/8	70 1/8	83 1/8	96 1/8	115/16	115/16
3	"	61 7/8	70 1/8	70 1/8	83 1/8	96 1/8	115/16	115/16
4	10/250#	61 7/8	83 1/8	83 1/8	96 1/8	115/16	115/16	115/16
5	"	61 7/8	96 1/8	96 1/8	115/16	115/16	115/16	115/16



NOTES:

- 1 DIMENSION BASED ON MOTOR HEIGHT OF A STANDARD WP-I HOLLOW SHAFT MOTOR. SUBJECT TO CHANGE DEPENDING ON MOTOR MFG. AND/OR THE USE OF A MOTOR ADAPTOR.
- 2 DIMENSIONS ARE IN INCHES UNLESS OTHERWISE INDICATED.
- 3 WHEN MOTOR IS OIL LUBRICATED, OIL IS NOT FURNISHED. SEE OPERATION MANUAL FOR MANUFACTURER'S RECOMMENDATIONS.